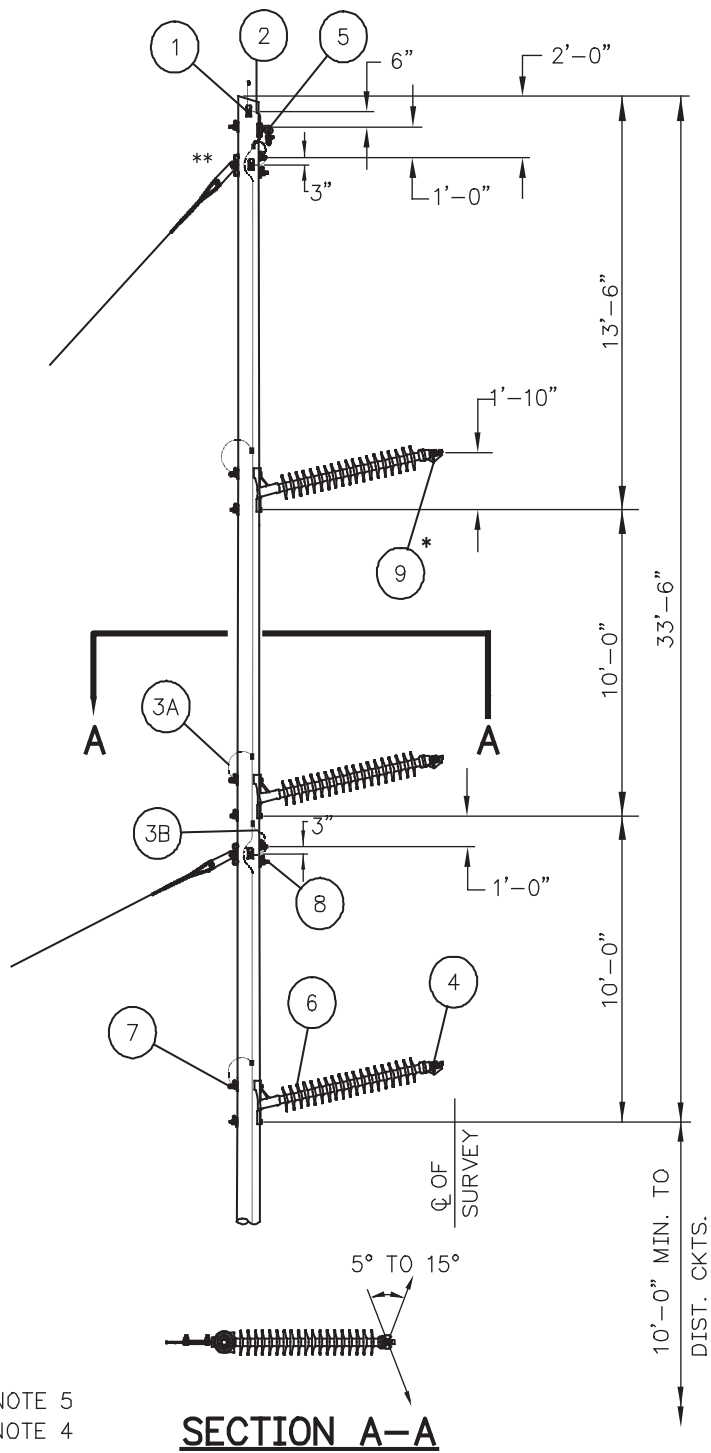


\* SEE NOTE 4



**Figure I—Structure Layout**



\* SEE NOTE 5  
 \*\* SEE NOTE 4

Figure I—Structure Layout

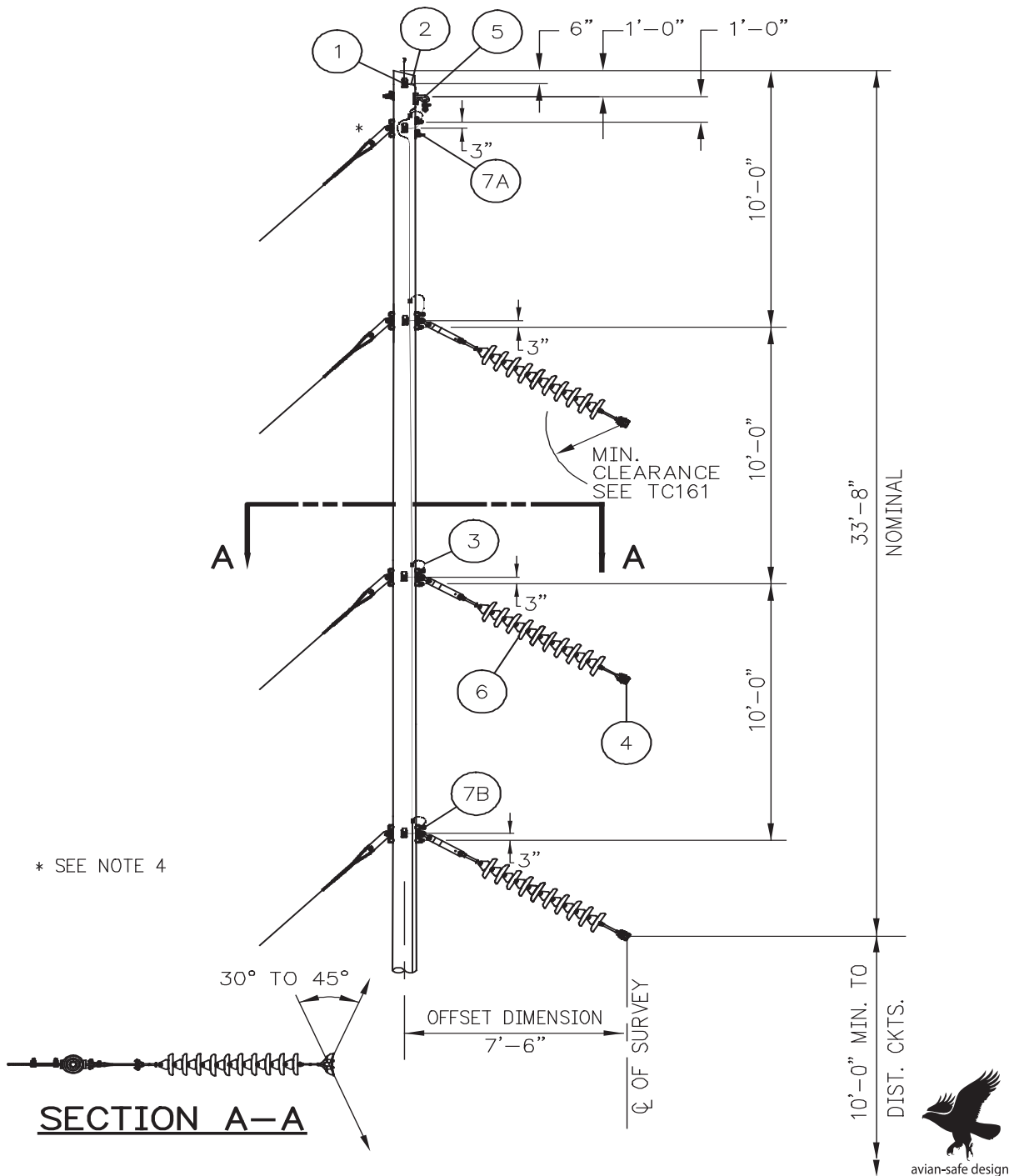


Figure I—Structure Layout

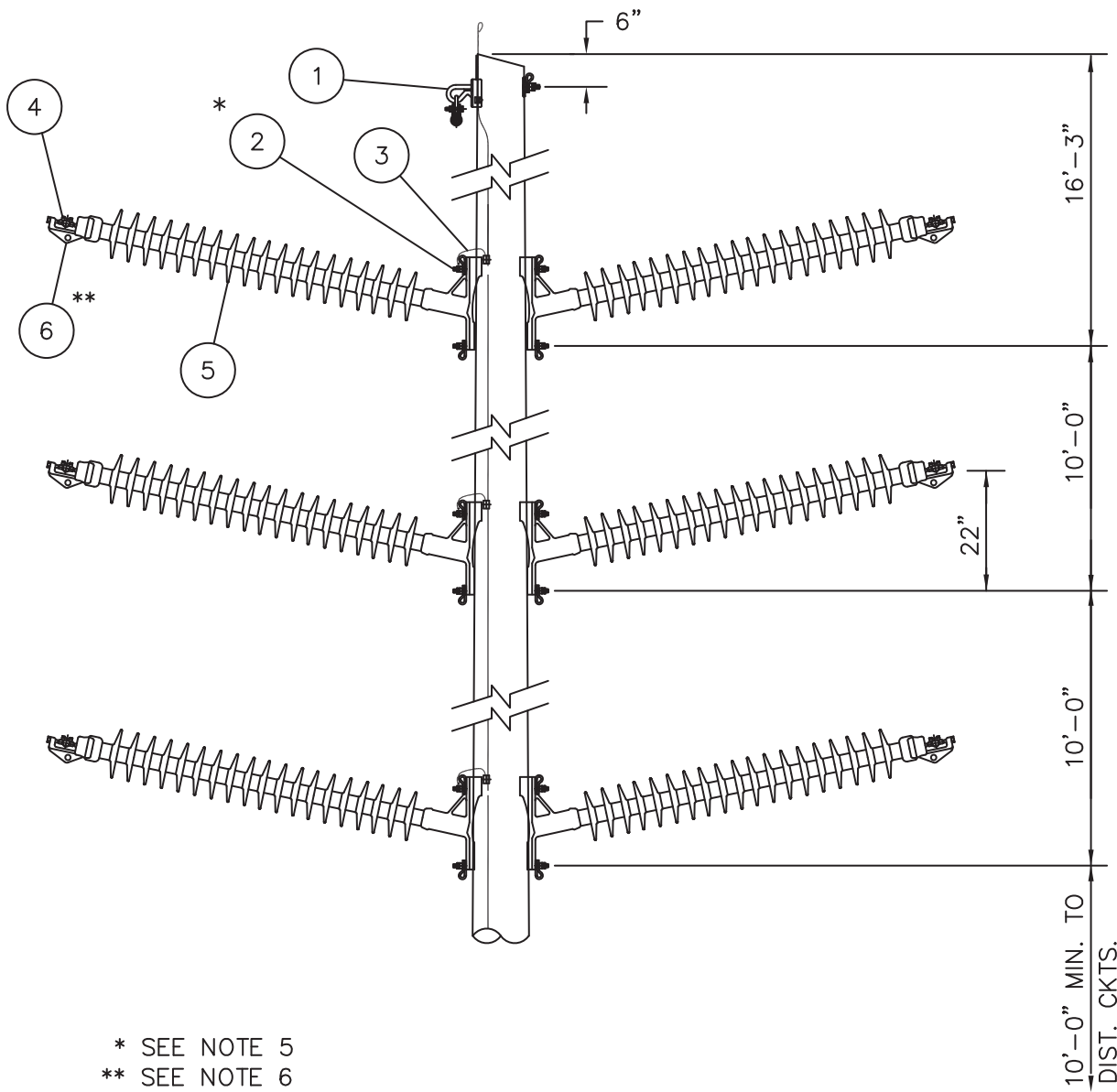


Figure I—Structure Layout